

# Service instructions

for contractors

# VIESSMANN

## Vitotrans 300

Flue gas/water heat exchanger  
for Vitoplex 200, Vitoplex 300 and Vitorond 200  
with rated heating output 80 to 560 kW

*For applicability, see the last page*



## VITOTRANS 300



## Safety instructions



Please follow these safety instructions closely to prevent accidents and material losses.

### Safety instructions explained



#### **Danger**

This symbol warns against the risk of injury.



#### **Please note**

This symbol warns against the risk of material losses and environmental pollution.

### **Note**

*Details identified by the word "Note" contain additional information.*

### **Target group**

These instructions are exclusively designed for qualified personnel.

- Work on gas equipment must only be carried out by a qualified gas fitter.
- Work on electrical equipment must only be carried out by a qualified electrician.
- The system must be commissioned by the system installer or a qualified person authorised by the installer.

### **Regulations**

Observe the following when working on this system

- all legal instructions regarding the prevention of accidents,
- all legal instructions regarding environmental protection,
- the Code of Practice of relevant trade associations,

- all current safety regulations as defined by DIN, EN, DVGW, TRGI, TRF, VDE and all locally applicable standards,
- Gas Safety (Installation & Use) Regulations
  - the appropriate Building Regulation either the Building regulations, the Building Regulation (Scotland), Building Regulations (Northern Ireland),
  - the Water Fittings Regulation or Water Bylaws in Scotland,
  - the current I.E.E. Wiring Regulations.

### **If you smell gas**



#### **Danger**

Escaping gas can lead to explosions which may result in serious injury.

- Never smoke. Prevent naked flames and sparks. Never switch lights or electrical appliances ON or OFF.
- Close the gas shut-off valve.
- Open windows and doors.
- Remove all people from the danger zone.
- Notify your gas or electricity supplier from outside the building.
- Shut off the electricity supply to the building from a safe place (outside the building).

## Safety instructions (cont.)

### If you smell flue gas



#### **Danger**

Flue gas can lead to life-threatening poisoning.

- Shut down the heating system.
- Ventilate the boiler room.
- Close all doors leading to the living space.

### Working on the system

- When using gas as fuel, also close the main gas shut-off valve and safeguard against unauthorised reopening.
- Isolate the system from the power supply and check that it is no longer 'live', e.g. by removing a separate fuse or by means of a main isolator.
- Safeguard the system against unauthorised reconnection.



#### **Please note**

Electronic modules can be damaged by electro-static discharges.

Touch earthed objects, such as heating or water pipes, to discharge static loads.

### Repair work



#### **Please note**

Repairing components which fulfil a safety function can compromise the safe operation of your heating system.

Replace faulty components only with original Viessmann spare parts.

### Ancillary components, spare and wearing parts



#### **Please note**

Spare and wearing parts which have not been tested together with the heating system can compromise its function. Installing non-authorised components and non-approved modifications/conversion can compromise safety and may invalidate our warranty. For replacements, use only original spare parts from Viessmann or those which are approved by Viessmann.

## Index

### **Commissioning, inspection, maintenance**

Steps – commissioning, inspection and maintenance..... 5

Further details regarding the individual steps..... 6

**Parts lists**..... 11

**Commissioning/service reports**..... 15

### **Certificates**

Declaration of conformity..... 16

## Steps – commissioning, inspection and maintenance

For further information regarding the individual steps, see the page indicated

				Page
			Commissioning steps	
			Inspection steps	
			Maintenance steps	
•			1. Matching the settings of the boiler control unit.....	6
•			2. Checking the connections of the neutralising equipment and filling with neutralising agent	
•			3. Checking the system pressure and commissioning the system	
•			4. Readjusting the burner (only when retrofitting the heat exchanger).....	6
	•	•	5. Shutting down the boiler system.....	6
•	•	•	6. Visually inspecting the gasket on the flue gas collector.....	7
		•	7. Cleaning the heating surfaces.....	7
		•	8. Replacing damaged gaskets.....	9
•	•	•	9. Assembly in reverse order	
•	•	•	10. Checking the water quality.....	9
•	•	•	11. Checking neutralising equipment as per the manufacturer's instructions and replacing used neutralising agent	
•	•	•	12. Restarting the boiler	
•	•	•	13. Recording the commissioning/maintenance in the report.....	9
•			14. Operating and service instructions.....	10

Commissioning, inspection, maintenance

## Further details regarding the individual steps

### Matching the settings of the boiler control unit

Make the settings according to the information in chapter "Additional information, coding" in the control unit service instructions.

### Readjusting the burner (only when retrofitting the heat exchanger)



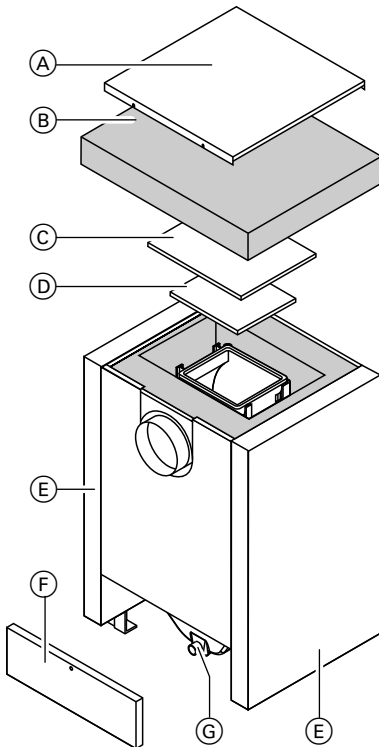
Burner service instructions

### Shutting down the boiler system

Switch OFF/isolate the mains isolator (outside the boiler room) and safeguard against unauthorised reconnection.

## Further details regarding the individual steps (cont.)

### Visually inspecting the gasket on the flue gas collector



1. Release the rotary latch and remove front panel at the bottom (F).

### Cleaning the heating surfaces

Clean heating surfaces (A) thoroughly with a water hose.

#### 2. Not when commissioning:

Release hose clip on condensate drain (G) and disconnect connection hose from the neutralising system (if installed).

#### 3. Not when commissioning:

Connect a plastic hose to the condensate drain and route to the drainage system.

4. Undo top panel (A).

5. Unhook side panels (E).

6. Remove thermal insulation mats (B) and (C).

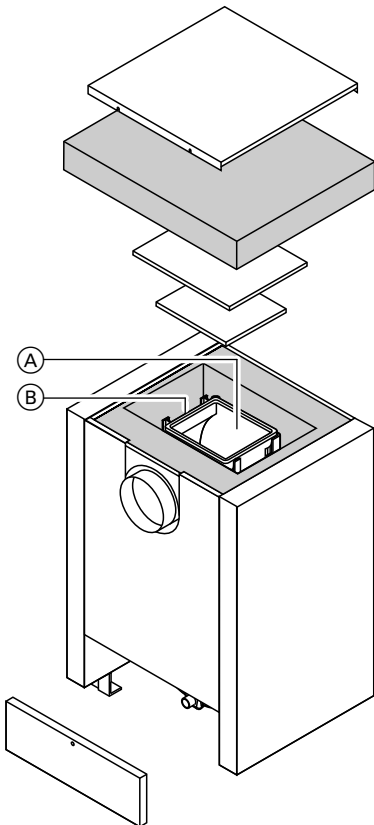
#### Note

Traces of condensate indicate a leak.

#### Note

Check the cleaning cover again a few days after commissioning/service and retighten if required.

## Further details regarding the individual steps (cont.)



### Please note

Prevent components that come into contact with flue gas from being scratched or otherwise damaged.

### Never use a wire brush or sharp objects.

Prevent components that come into contact with flue gas from contact with pure iron, as corrosion damage can result. Use plastic brushes if required.

For normal cleaning, flush the heating surfaces thoroughly with a water jet. However, you may use cleaning agents if you notice stubborn residues, surface discolouration or soot deposits.

For this, observe the following:

- Only use solvent-free cleaning agents. Ensure that cleaning agent never gets between the heat exchanger and the thermal insulation.
- Remove soot deposits with alkaline agents containing surfactant additives (e.g. Fauch 600<sup>\*1</sup>).

<sup>\*1</sup> Manufacturer:  
Hebro Chemie GmbH  
Rostocker Strasse 40  
D-41199 Mönchengladbach



## Further details regarding the individual steps (cont.)

- Combustion residues may create thin, yellow-brown surface discolouration as well as hard deposits that may also only become visible after removing the soot deposits.  
Use slightly acidic, chloride-free cleaning agents based on phosphoric acid to remove surface discolouration and hard deposits (e.g. Antox 75 E<sup>\*1</sup>).
- Remove loose deposits from the heat exchanger; rinse the heating surfaces and flue gas collector thoroughly with a water jet.



### Danger

Cleaning agents can irritate the skin and eyes.  
Wear goggles, protective gloves and protective clothing if required.



Cleaning agent manufacturer's details.

## Replacing damaged gaskets

Only affix gaskets for cleaning apertures (B) to clean surfaces (see page 7).

## Checking the water quality



Boiler service instructions

## Recording the commissioning/maintenance in the report

You will find the report on page 15.



### Danger

For safe operation, a minimum operating pressure of 0.5 bar is essential.  
For this, a minimum pressure switch can be used.

<sup>\*1</sup> *Manufacturer:*  
*Hebro Chemie GmbH*  
*Rostocker Strasse 40*  
*D-41199 Mönchengladbach*

## Further details regarding the individual steps (cont.)

### Operating and service instructions

1. Complete and detach the customer registration card:
  - Hand system users this part for safekeeping.
  - Retain the heating contractor's part.
2. File all parts lists, operating and service instructions in the folder and hand this over to the system user.

## Parts lists

### **When ordering spare parts:**

*Quote the part no. and serial no. (see type plate) and the position number of the required part (as per this parts list). Obtain commercially available parts from your local supplier.*

- 001 Lower flue gas collector
- 004 Clamping clip
- 006 Top flue gas collector (with pos. 007, 008, 009, 010 and 304)
- 007 Pack 12 x 12 mm
- 008 Top cover
- 009 Pack 12 x 12 mm
- 010 Clamp with bracket
- 011 Mating flange
- 012 Gasket
- 013 Adjustable foot
- 200 Top panel
- 201 Side panel, right
- 202 Side panel, left
- 203 Front panel, top
- 204 Front panel, bottom

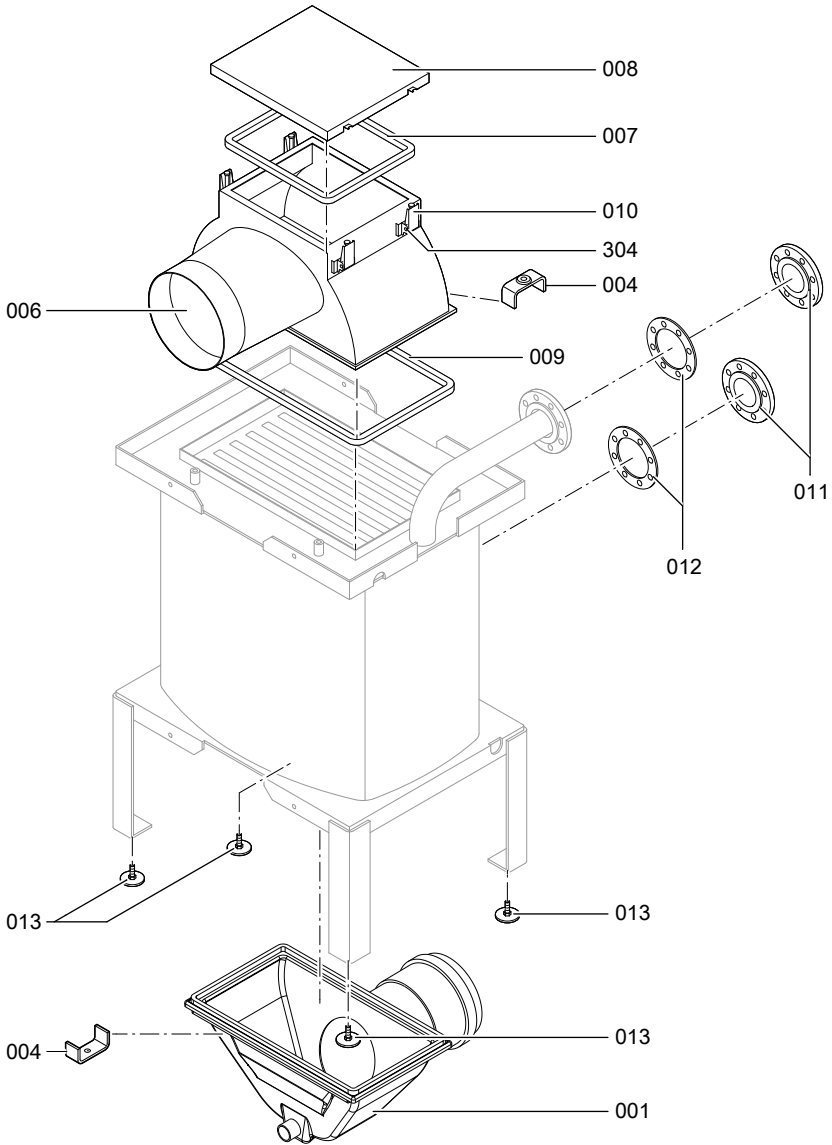
- 205 Back panel
- 206 Cover panel, front
- 207 Cover panel, back
- 208 Thermal insulation mat for outer jacket
- 209 Upper thermal insulation mat
- 210 Lower latch part
- 211 Damping washer
- 212 Quarter-turn rotary latch with toggle
- 213 Thermal insulation mat for cover
- 214 Thermal insulation mat for flue pipe
- 304 Tapping screw AM 4 x 6

### Parts not shown

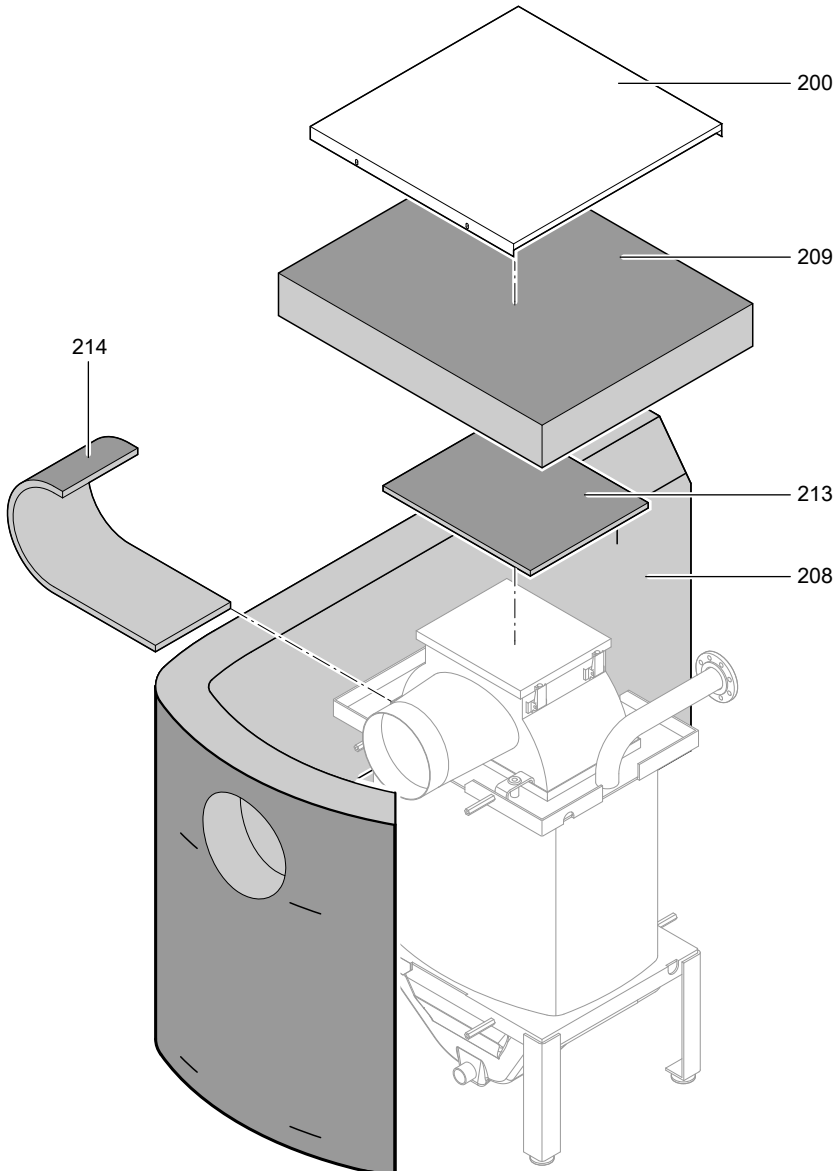
- 300 Thermal insulation pack
- 301 Operating instructions
- 302 Installation instructions
- 303 Service instructions
- 305 Spray paint, Vitosilver
- 306 Touch-up paint stick, Vitosilver

Ⓐ Type plate, optionally left or right

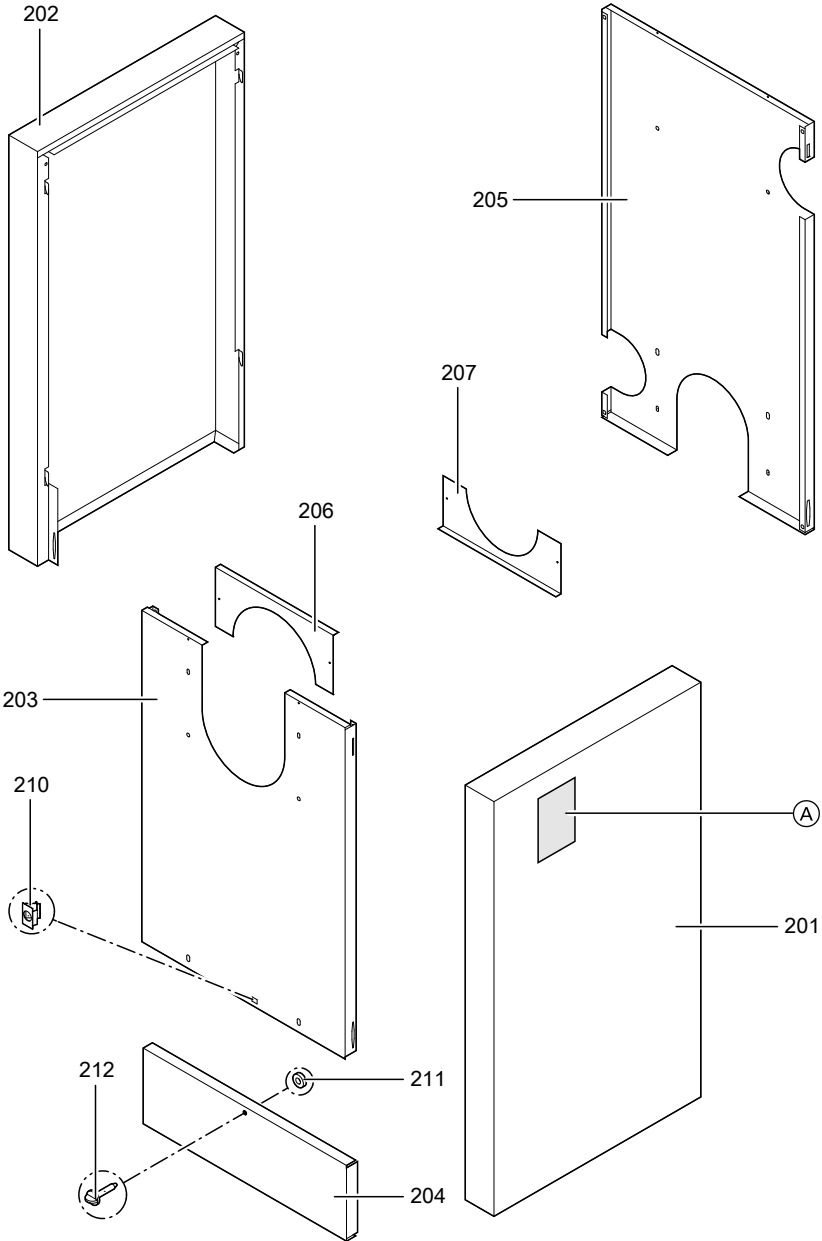
**Parts lists** (cont.)



**Parts lists** (cont.)



**Parts lists** (cont.)



**Commissioning/service reports**

	<b>Commissioning</b>	<b>Service</b>	<b>Service</b>
date:			
by:			

	<b>Service</b>	<b>Service</b>	<b>Service</b>
date:			
by:			

	<b>Service</b>	<b>Service</b>	<b>Service</b>
date:			
by:			

	<b>Service</b>	<b>Service</b>	<b>Service</b>
date:			
by:			

	<b>Service</b>	<b>Service</b>	<b>Service</b>
date:			
by:			

## Declaration of conformity

We, Viessmann Werke GmbH & Co KG, D-35107 Allendorf, declare as sole responsible body, that the condensing unit product consisting of:

**Vitoplex 200 with Vitotrans 300**

**Vitoplex 300 with Vitotrans 300**

**Vitorond 200 with Vitotrans 300**

conforms to the following standards/regulations:

TRD 702	DIN EN 50 082-1
DIN EN 303	DIN EN 50 165
DIN EN 676	DIN EN 50 366
DIN EN 677	DIN EN 60 335-1
DIN EN 50 011/55 014	

This product is designated **CE-0085** in accordance with the following Directives:

89/336/EEC	92/42/EEC
90/396/EEC	2006/95/EC

This product meets the requirements of the Efficiency Directive (92/42/EEC) for **condensing boilers**.

This Declaration of Conformity applies to the following condensing units:

- Vitoplex 200 with Vitotrans 300, product ID CE-0085 AS 0203
- Vitoplex 300 with Vitotrans 300, product ID CE-0085 AS 0204
- Vitorond 200 with Vitotrans 300, product ID CE-0085 AU 0327

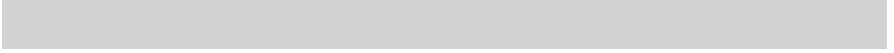
Allendorf, 16 May 2007

Viessmann Werke GmbH&Co KG



pp. Manfred Sommer











## Applicability

### Serial No.:

7454287	7454288	7454289	7454290
7454291	7454292	7454293	7454294

Viessmann Werke GmbH&Co KG  
D-35107 Allendorf  
Telephone: +49 6452 70-0  
Fax: +49 6452 70-2780  
[www.viessmann.com](http://www.viessmann.com)

Viessmann Limited  
Hortonwood 30, Telford  
Shropshire, TF1 7YP, GB  
Telephone: +44 1952 675000  
Fax: +44 1952 675040  
E-mail: [info-uk@viessmann.com](mailto:info-uk@viessmann.com)

5692 737 GB Subject to technical modifications.